

FEATURES

- * Wide bandwidth
- * Low insertion loss
- * Excellent spurious suppression characteristics
- * TV SIF stage use

The XT Series is a ceramic trap for TV 4.5 / 5.5 / 6.0 / 6.5 MHz. (TV SIF stage use)



OPERATING CONDITIONS/ELECTRICAL CHARACTERISTICS

PART NUMBER	TRAP ATTENUATION (AT NORMAL CENTER FREQUENCY) (dB) MIN.	20 dB Band Width (KHz) MIN.	30 dB BAND WIDTH (KHz) MIN.
XT4.5MB	35(45)	-	50(80)
XT5.5MB	35(45)	-	50(80)
XT6.0MB	35(45)	-	70(120)
XT6.5MB	35(45)	-	70(120)

PACKAGE DIMENSIONS (mm)

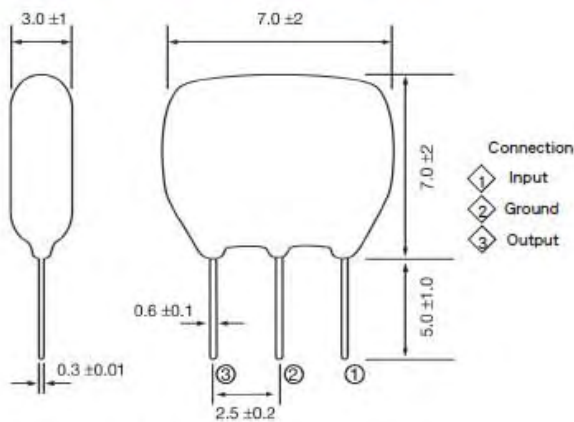


Figure 1) XT Series - C Front and Side views

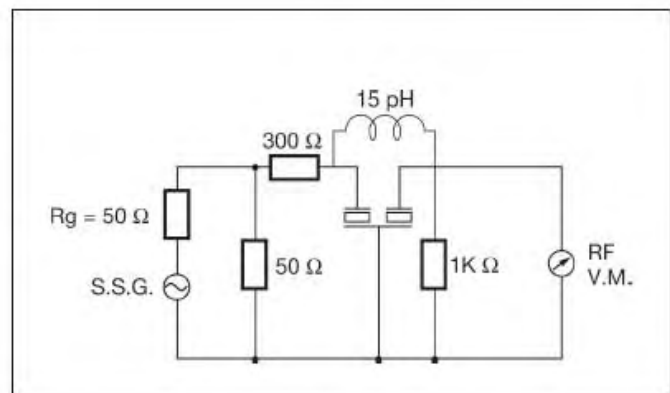


Figure 2) XT Series - Measuring Circuit

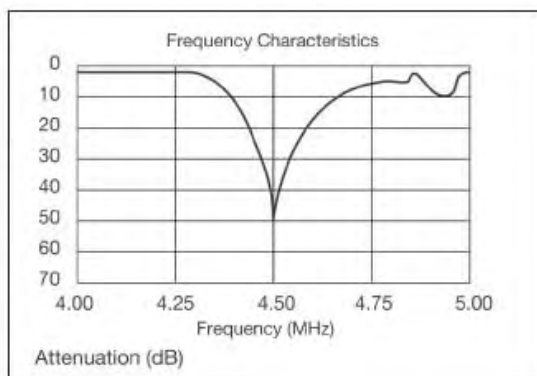


Figure 3) XT Series - C Characteristics